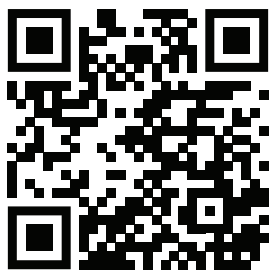




2022

PRODUCT CATALOGUE



www.beyplastik.com



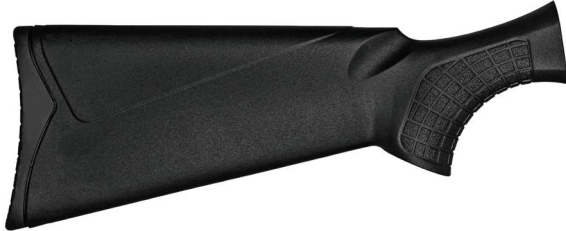
CONTENTS

Buttstock	03-09 Pages
Handguards	10-14 Pages
Complete Lower Receiver/Trigger Plate	15-18 Pages
Pistol Grips	19-21 Pages
Assembly Equipment	22-28 Pages
Stock Pad	29-30 Pages
Accessory	31-35 Pages
Cases	36-37 Pages
Buffer Tube	38-39 Pages
Metal Parts	40-43 Pages
Colours	44-47 Pages



BUTTSTOCK

DP1



CLASSIC STOCK

Semi Automatic-Pump Action

CLASSIC STOCK

Semi Automatic - Pump Action

- M4 - M2



DP1A

DP1B



ORTHOPEDIC STOCK

Automatic, Pump Action, M4 - M2

ORTHOPEDIC STOCK

Automatic, Pump Action, M4 - M2



DP1C

DP2



FOLDS UP STOCK
Semi Automatic-Pump Action

TELESCOPIC STOCK
Vertical Magazine



DP3

DP3A



TELESCOPIC STOCK
Vertical Magazine

TELESCOPIC STOCK
Vertical Magazine - Automatic
- Pump Action



DP3B

DP3C



SIDE FOLDS TELESCOPIC STOCK

Vertical Magazine - Automatic

- Pump Action

BUTTSTOCK
General



DP4

DP4A



BUTTSTOCK
General

BUTTSTOCK
Vertical Magazine



DP5

DP5A



BUTTSTOCK
Vertical Magazine

BUTTSTOCK
Vertical Magazine – Automatic
– Pump Action



DP5B

DP5C



SIDE FOLDING BUTTSTOCK
Vertical Magazine – Automatic
– Pump Action

BUTTSTOCK
Vertical Magazine



DP6

DP6A



BUTTSTOCK

Vertical Magazine – Automatic
– Pump Action

SIDE FOLDING BUTTSTOCK

Vertical Magazine – Automatic
– Pump Action



DP6B

DP7



BUTTSTOCK

AR15 - M16 - M4
MILL-SPEC / CONVERCIAL

BUTTSTOCK

AR15 - M16 - M4
MILL-SPEC / CONVERCIAL



DP8

DP9



BUTTSTOCK

AR15 - M16 - M4
MILL-SPEC / CONVERCIAL

BUTTSTOCK

AR15 - M16 - M4
MILL-SPEC / CONVERCIAL
AUTOMATIC - MANUEL



DP10

DP11



BUTTSTOCK

AR15 - M16 - M4
MILL-SPEC / CONVERCIAL

BUTTSTOCK

AR15 - M16 - M4
MILL-SPEC / CONVERCIAL



DP12



HANDGUARDS

OE1



HANDGUARD
Automatic

HANDGUARD
Automatic



OE2

PE1



HANDGUARD
Pump Action

HANDGUARD
Pump Action



PE2

PE3



HANDGUARD
Pump Action

HANDGUARD
Pump Action



PE4

PE5



HANDGUARD
Pump Action

HANDGUARD
Pump Action



PE6

PE7



HANDGUARD
Pump Action

HANDGUARD
Vertical Magazine



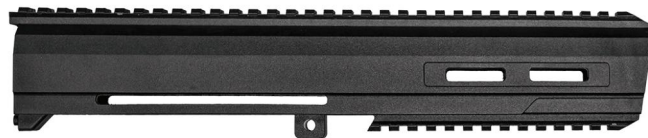
SE1

SE2



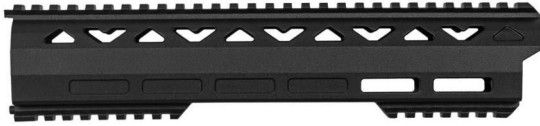
HANDGUARD
Vertical Magazine

HANDGUARD
Bullpup



SE3

SE4

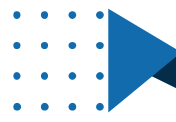


HANDGUARD
Vertical Magazine





**COMPLATE
LOWER
RECEIVER** | **TRIGGER
PLATE**



TT1



COMPLATE LOWER RECEIVER
Vertical Magazine

COMPLATE LOWER RECEIVER
Vertical Magazine



TT2

TT2A



COMPLATE LOWER RECEIVER
Vertical Magazine

COMPLATE LOWER RECEIVER
Vertical Magazine



TT2B

TT3



COMPLATE LOWER RECEIVER
Bullpup

COMPLATE LOWER RECEIVER
Bullpup



TT3A

TT4

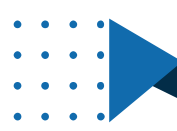


TRIGGER PLATE
Automatic-Pump Action

TRIGGER PLATE
Automatic-Pump Action



TT5



TT6



TRIGGER PLATE

Automatic-Pump Action

TRIGGER PLATE
Automatic-Pump Action



TT7



BEY PLASTİK



PISTOL GRIPS

KB1



ORTHOPEDIC PISTOL GRIP
Automatic-Pump Action

UPRIGHT ORTHOPEDIC PISTOL GRIP
Automatic-Pump Action



KB2

KB3



PISTOL GRIP
Automatic-Pump Action

ORTHOPEDIC PISTOL GRIP
Vertical Magazine



KB4

KB5



ORTHOPEDIC PISTOL GRIP
AR15 - M16 - M4

ORTHOPEDIC PISTOL GRIP
AR15 - M16 - M4



KB6

KB7



ORTHOPEDIC PISTOL GRIP
AR15 - M16 - M4

ORTHOPEDIC PISTOL GRIP
AK47/AK74



KB8



ASSEMBLY EQUIPMENT

MN1



MAGAZINE KIT
Vertical Magazine

ASSEMBLY EQUIPMENT
Vertical Magazine



MN2

MN3



ASSEMBLY EQUIPMENT
General

ASSEMBLY EQUIPMENT
Automatic-Pump Action



MN4

MN5



ASSEMBLY EQUIPMENT
General

ASSEMBLY EQUIPMENT
General



MN6

MN7



ASSEMBLY EQUIPMENT
Vertical Magazine

ASSEMBLY EQUIPMENT
Automatic-Pump Action



MN7A

MN8



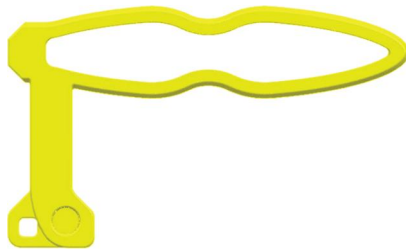
ASSEMBLY EQUIPMENT
Vertical Magazine

ASSEMBLY EQUIPMENT
Vertical Magazine



MN9

MN10



ASSEMBLY EQUIPMENT
General

ASSEMBLY EQUIPMENT
Vertical Magazine



MN11

MN12



ASSEMBLY EQUIPMENT
General

ASSEMBLY EQUIPMENT
Automatic



MN13

MN14



ASSEMBLY EQUIPMENT
General

ASSEMBLY EQUIPMENT
General



MN15

MN16



ASSEMBLY EQUIPMENT
Vertical Magazine

ASSEMBLY EQUIPMENT
Vertical Magazine



MN17

MN18



ASSEMBLY EQUIPMENT
Vertical Magazine

ASSEMBLY EQUIPMENT
Vertical Magazine



MN19

MN20



ASSEMBLY EQUIPMENT
Automatic

ASSEMBLY EQUIPMENT
36 Ga - Mill Spec Tube



MN21

MN22



SAFETY PHOSPHORUS
General

BARREL NUT
Automatic-Pump Action



MN23



STOCK PAD

DL1



RUBBER STOCK PAD

Wood Stock

RUBBER STOCK PAD

Wood Stock - Tactical - M4



DL2

STOCK PAD

Wood Stock - Tactical

DL3

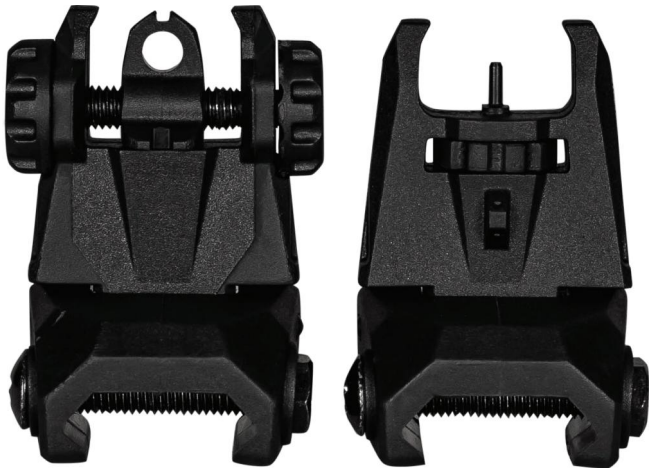


RUBBER STOCK PAD

Wood Stock - Tactical



DL4



ACCESSORY

AKS1



HANDLE
21 mm Picatinny Rail

SIGHT FRONT POLYMER
21 mm Picatinny Rail



AKS2

AKS3



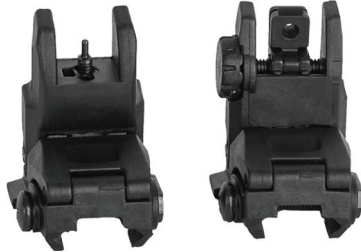
SIGHT FRONT POLYMER
21 mm Picatinny Rail

SIDE FOLDING ADAPTOR
Automatic – Pump Action
– Vertical Magazine



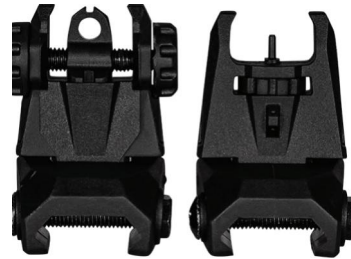
AKS4

AKS5



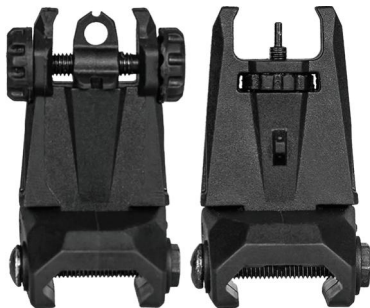
SIGHT FRONT REAR POLYMER
21 mm Picatinny Rail

SIGHT FRONT REAR POLYMER
21 mm Picatinny Rail



AKS5A

AKS5B



SIGHT FRONT REAR POLYMER
21 mm Picatinny Rail

45° SIGHT FRONT REAR POLYMER
22 mm Picatinny Rail



AKS5C

AKS6



POINTING GRIP
21 mm Picatinny Rail

GRIP

21 mm Picatinny Rail



AKS6A

AKS7



MARKING
General

DUCK WEHISTLE
General



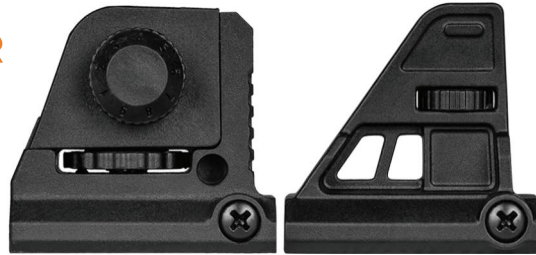
AKS8

AKS9



SIGHT FRONT REAR POLYMER
21 mm Picatinny Rail

SIGHT FRONT REAR POLYMER
21 mm Picatinny Rail



AKS10

AKS11



SIGHT FRONT POLYMER
General

SIGHT FRONT REAR POLYMER
Automatic - Pump Action



AKS12



CASES

ÇNT1



96 cm
General

96 cm
General



ÇNT1A

ÇNT2



110 cm
General

110 cm
General



ÇNT2A



BUFFER TUBE





BYP1



BUFFER TUBE KIT

AR15 - M16 - M4
Commercial/Millspec

BUFFER TUBE
AR15 - M16 - M4
Commercial/Millspec



BYP3

BYP9



BUFFER TUBE

AK47/AK74
Commercial/Millspec

BUFFER TUBE
AK47/AK74
Commercial/Millspec
(Self-Folding Left and Right Option)



BYP10



METAL PARTS

BYP1



BUFFER TUBE KIT

AR15 - M16 - M4

Commercial/Millspec

SLING SWIVEL
GENERAL



BYP2

BYP3



BUFFER TUBE

AR15 - M16 - M4

Commercial/Millspec

BUFFER TUBE NUT

AR15 - M16 - M4



BYP4

BYP5



BUFFER TUBE NUT STRAP
AR15 - M16 - M4

STANDART CARBINE BUFFER
AR15 - M16 - M4



BYP6

BYP7



PULL HANDLE MODEL 1
AR15 - M16 - M4

PULL HANDLE MODEL 2
AR15 - M16 - M4



BYP8

BYP11



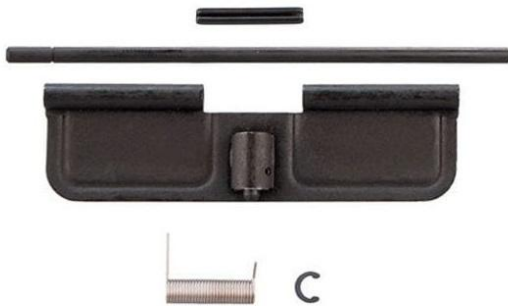
FORWARD ASSIST
AR15 - M16 - M4

GAS BLOCK
AR15 - M16 - M4



BYP12

BYP13



UPPER PARTS
AR15 - M16 - M4



COLOURS

DP7



BUTTSTOCK
MILL-SPEC / CONVERCIAL
AR15 - M16 - M4

BUTTSTOCK
MILL-SPEC / CONVERCIAL
AR15 - M16 - M4



DP8

DP9



BUTTSTOCK
MILL-SPEC / CONVERCIAL
AR15 - M16 - M4

BUTTSTOCK
MILL-SPEC / CONVERCIAL
AR15 - M16 - M4



DP11

KB5



ORTHOPEDIC PISTOL GRIP
AR15 - M16 - M4

ORTHOPEDIC PISTOL GRIP
AR15 - M16 - M4



KB6

KB7



ORTHOPEDIC PISTOL GRIP
AR15 - M16 - M4

ORTHOPEDIC PISTOL GRIP
AK47/AK74



KB8

AKS5A



SIGHT FRONT
REAR POLYMER
21 mm Picatinny Rail

SIGHT FRONT
REAR POLYMER
21mm Picatinny Rail



AKS5B

AKS6



POINTING GRIP
21 mm Picatinny Rail

GRIP
21 mm Picatinny Rail





sales@beyplastik.com



0332 500 00 84



Bayavşar Mahallesi 41957 Sokak No:4
Beyşehir/KONYA

www.beyplastik.com